



# Illustrated Parts List

## Model Series

# 10T500

TYPE NUMBERS  
0121 through 3764.

### TABLE OF CONTENTS

Air Cleaner .....	6
Blower Housing/Shrouds .....	7
Brake .....	5
Camshaft .....	3
Carburetor .....	4
Controls .....	5
Crankcase Cover/Sump .....	3
Crankshaft .....	3
Cylinder .....	2
Cylinder Head .....	2
Engine/Valve Gasket Sets .....	2
Flywheel .....	7
Fuel Supply .....	4
Governor Spring .....	5
Ignition .....	5
Lubrication .....	2
Muffler .....	6
Piston/Rings/Connecting Rod .....	3
Rewind Starter .....	7

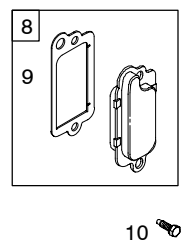
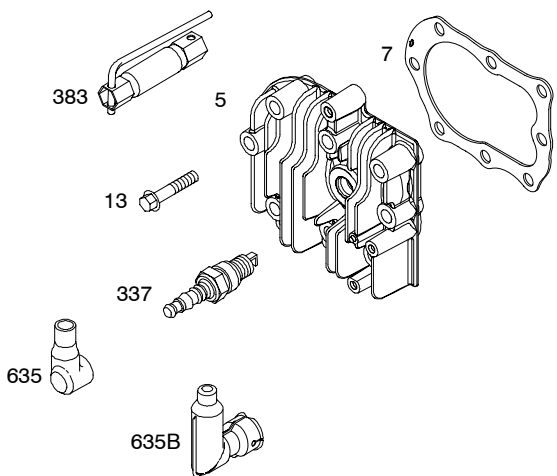
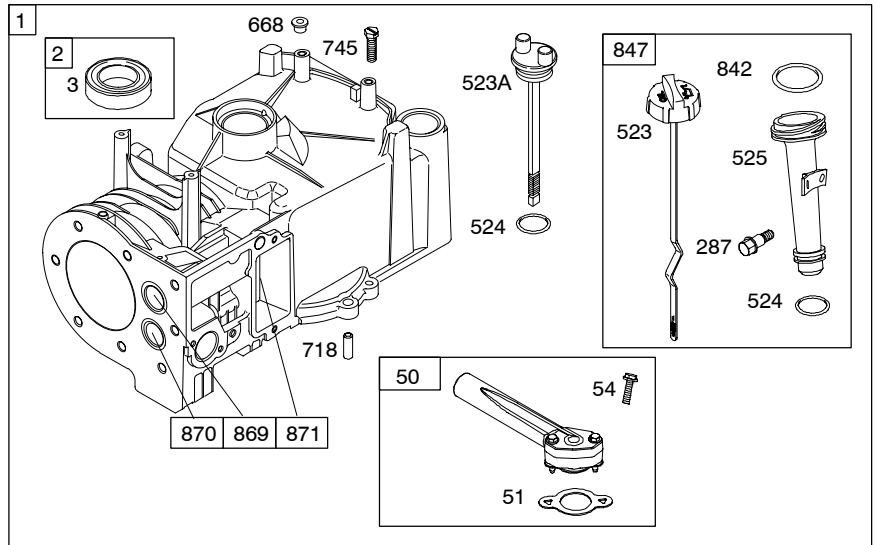
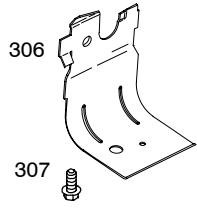
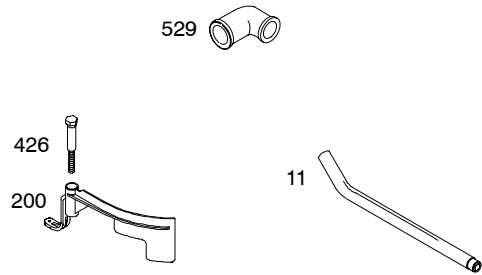
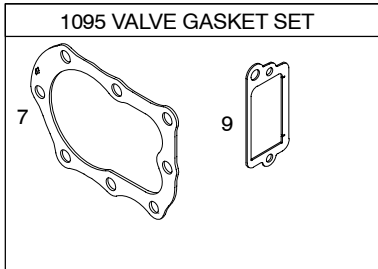
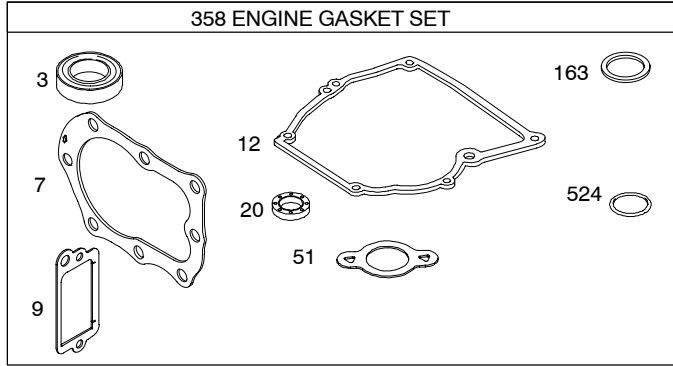
PRINTED IN U.S.A.

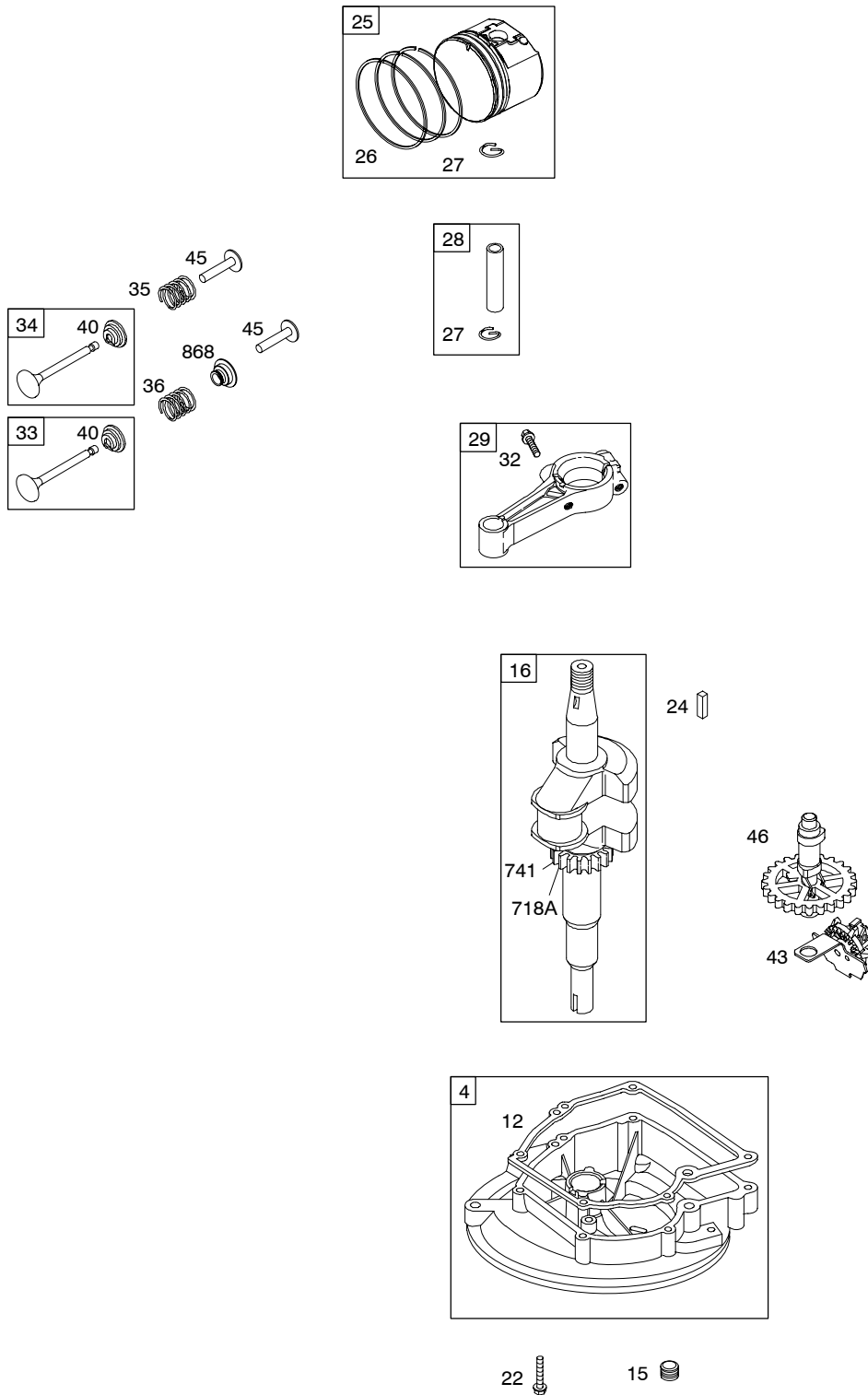


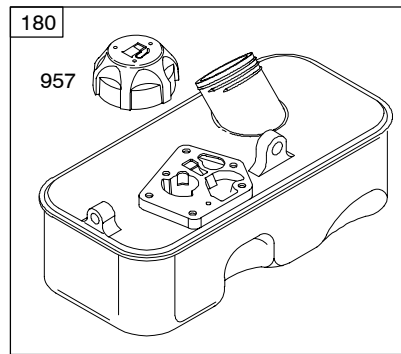
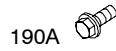
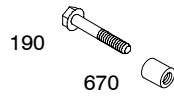
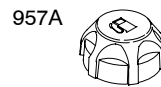
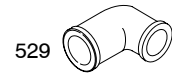
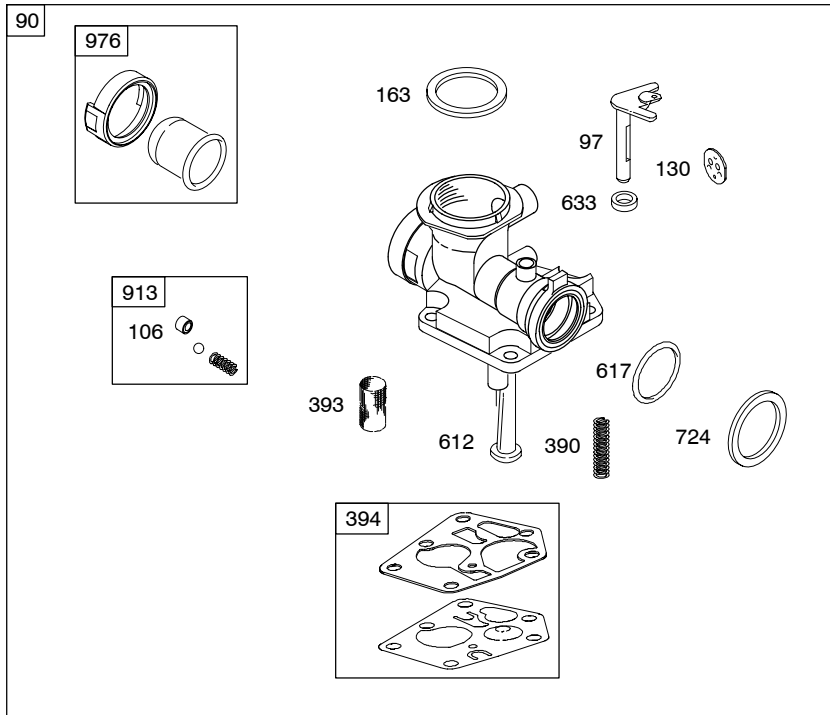
COPYRIGHT by BRIGGS & STRATTON CORPORATION  
All rights reserved. No part of this material may be reproduced or transmitted, in any form or by any means, electronic or mechanical, including photocopying, recording or by any information storage and retrieval system, without permission in writing from Briggs & Stratton Corporation.

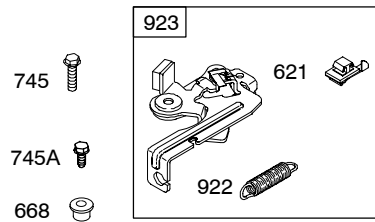
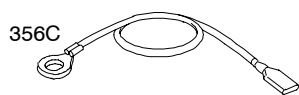
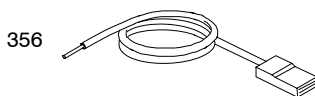
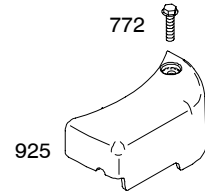
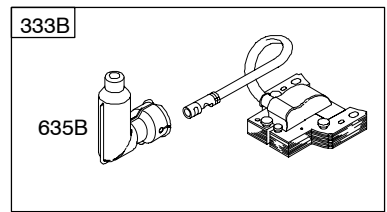
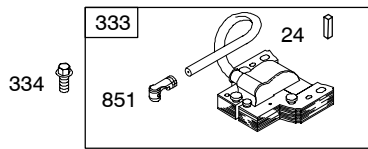
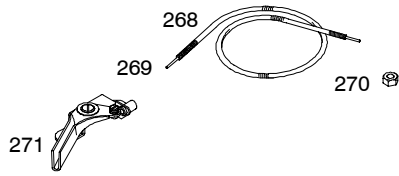
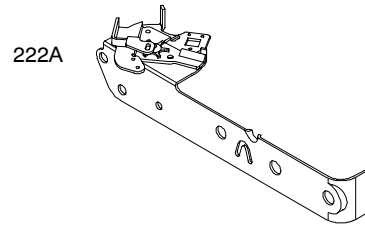
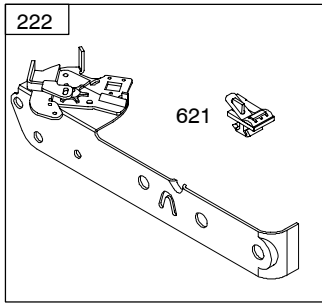
1058 OPERATOR'S MANAUL

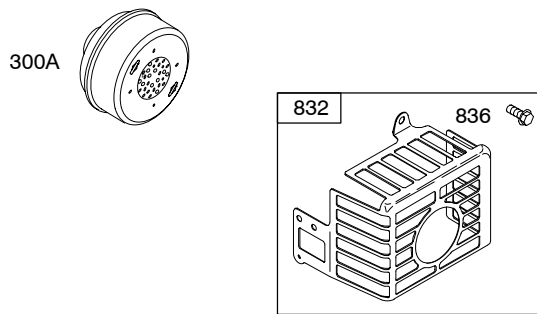
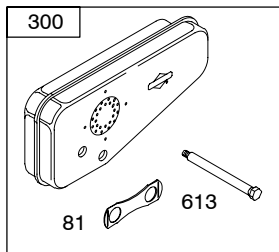
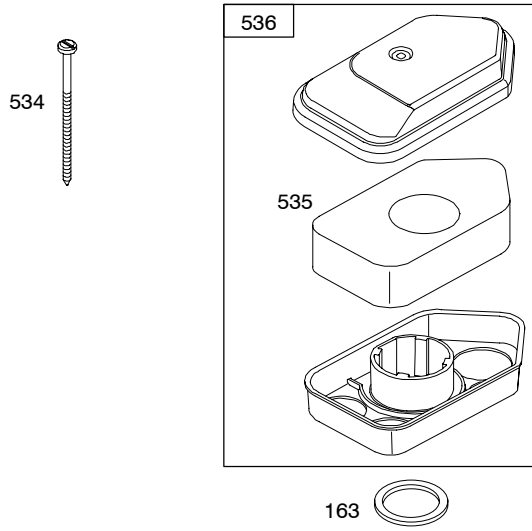
1330 REPAIR MANUAL



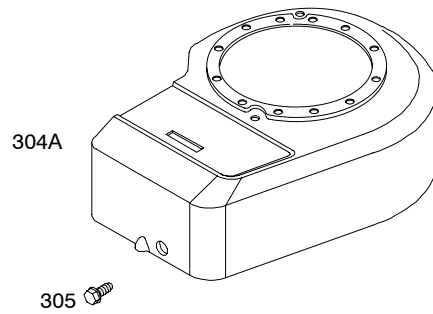
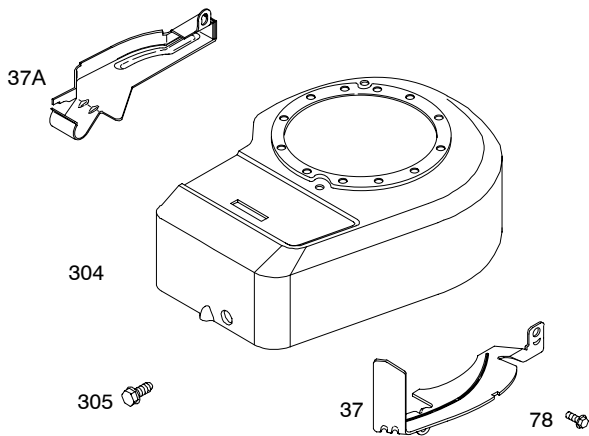
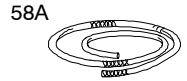
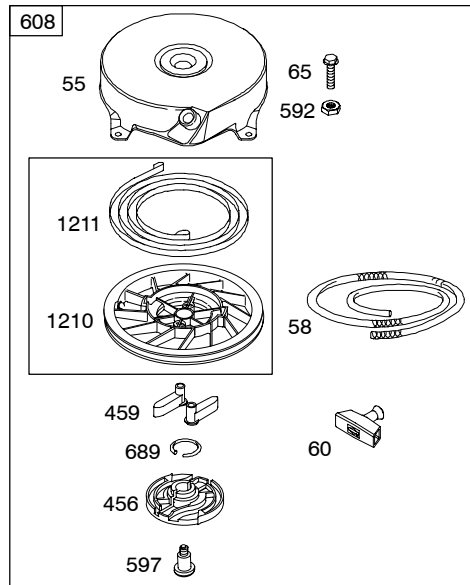
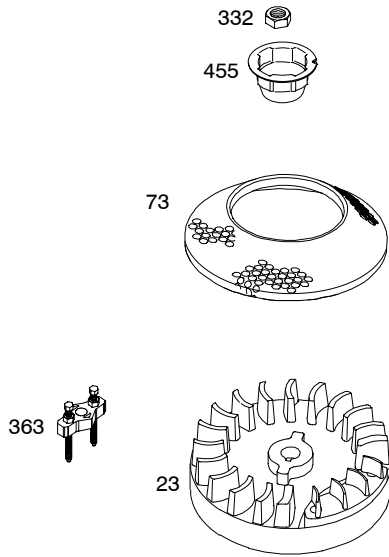
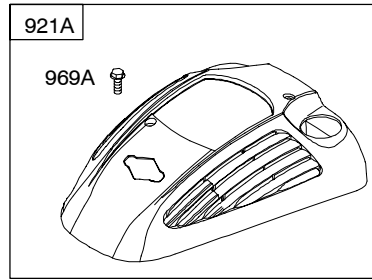
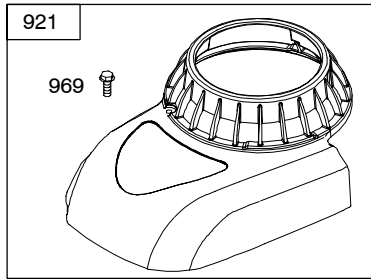








1036 EMISSIONS LABEL



# 10T500

REF. NO.	PART NO.	DESCRIPTION	REF. NO.	PART NO.	DESCRIPTION	REF. NO.	PART NO.	DESCRIPTION
1	699653	Cylinder Assembly	25	790908	Piston Assembly (Standard)	60	691915	Grip-Starter Rope
2	399269	Kit-Bushing/Seal (Magneto Side)			----- <b>Note</b> -----	65	690837	Screw (Rewind Starter)
3	★299819s	Seal-Oil (Magneto Side)			<b>792532</b> Piston Assembly (.020" Oversize)	73	699850	Screen-Rotating
4	698691	Sump-Engine				78	692198	Screw (Flywheel Guard)
5	790169	Head-Cylinder	26	790909	Ring Set (Standard)	81	691179	Lock-Muffler Screw
7	★△698717	Gasket-Cylinder Head			----- <b>Note</b> -----	90	699660	Carburetor
8	791781	Breather Assembly			<b>792533</b> Ring Set (.020" Oversize)	97	691931	Shaft-Throttle
9	★△695890	Gasket-Breather				106	691901	Seat-Inlet
10	691666	Screw (Breather Assembly)	27	691588	Lock-Piston Pin	130	691190	Valve-Throttle
11	691245	Tube-Breather	28	699659	Pin-Piston (Standard)	163	★271139s	Gasket-Air Cleaner
12	★692218	Gasket-Crankcase (.015" Thick) (Standard)	29	699654	Rod-Connecting	180	494406	Tank-Fuel
		----- <b>Note</b> -----	32	691664	Screw (Connecting Rod)	188	692198	Screw (Control Bracket)
		<b>270895</b> Gasket-Crankcase (.005" Thick)	33	296676	Valve-Exhaust	190	691640	Screw (Fuel Tank) (1 3/4" Long)
		<b>270896</b> Gasket-Crankcase (.009" Thick)	34	296677	Valve-Intake	190A	692198	Screw (Fuel Tank) (1/2" Long)
13	691640	Screw (Cylinder Head)	35	690520	Spring-Valve (Intake)	200	691912	Blade-Governor
15	691680	Plug-Oil Drain	36	690520	Spring-Valve (Exhaust)	201	690347	Link-Air Vane
16	692989	Crankshaft Used on Type No(s). 0121, 0130, 0501.	37	691209	Guard-Flywheel (Muffler Side)	209	691297	Spring-Governor (White)
		----- <b>Note</b> -----	37A	690482	Guard-Flywheel (Carburetor Side)			Used on Type No(s). 0457, 0495, 0500, 0501.
		<b>691472</b> Crankshaft Used on Type No(s). 0457, 0495, 0500, 0764, 0838, 0840, 3764.	40	692194	Retainer-Valve			----- <b>Note</b> -----
20	★391483s	Seal-Oil (PTO Side)	43	698690	Slinger-Governor/Oil			<b>691862</b> Spring-Governor (Dark Green)
22	692551	Screw (Crankcase Cover/Sump)	45	691762	Tappet-Valve			Used on Type No(s). 0130.
23	692009	Flywheel	46	691998	Camshaft			<b>690251</b> Spring-Governor (Yellow)
		----- <b>Note</b> -----	50	699644	Manifold-Intake			Used on Type No(s). 0764, 0838, 0840, 3764.
		<b>690843</b> Flywheel Used on Type No(s). 0121, 0130.	51	★699649	Gasket-Intake			<b>690250</b> Spring-Governor (Light Green)
24	222698s	Key-Flywheel	54	691111	Screw (Intake Manifold)			Used on Type No(s). 0121.
			55	692144	Housing-Rewind Starter			<b>211</b> <b>691859</b> Spring-Governed Idle
			58	697316	Rope-Starter (88 5/8" Long) Used on Type No(s). 0121, 0457, 0495, 0500, 0501, 0764, 0838, 0840, 3764.			
			58A	691921	Rope-Starter (70" Long) Used on Type No(s). 0130.			

★ Engine Gasket Set-Reference 358

△ Valve Gasket Set-Reference 1095



REF. NO.	PART NO.	DESCRIPTION	REF. NO.	PART NO.	DESCRIPTION	REF. NO.	PART NO.	DESCRIPTION		
222	691445	Bracket-Control Used on Type No(s). 0130.	333	793281	Armature-Magneto (Used After Code Date 06073000).	597	691696	Screw (Pawl Friction Plate)		
222A	691446	Bracket-Control Used on Type No(s). 0121, 0457, 0495, 0500, 0501, 0764, 0838, 0840, 3764.			----- <b>Note</b> -----	608	499706	Starter-Rewind (88 5/8" Rope) Used on Type No(s). 0121, 0457, 0495, 0500, 0501, 0764, 0838, 0840, 3764.		
268	691072	Casing-Control Wire (Cut To Required Length)	333B	793352	Armature-Magneto Used on Type No(s). 0840.			----- <b>Note</b> -----		
269	691026	Wire-Control (Cut To Required Length)	334	691061	Screw (Magneto Armature) (1" Long)	612	496046s	Tube-Pick Up		
270	691027	Nut (Control Wire Casing)	335	691107	Screw (Magneto Armature With Air Vane) (1 15/16" Long)	613	691413	Screw (Muffler) Used on Type No(s). 0121, 0838.		
271	691028	Lever-Control	337	802592s	Plug-Spark	617	270344s	Seal-O Ring (Intake Manifold)		
287	691002	Screw (Dipstick Tube)	356	692390	Wire-Stop	621	692310	Switch-Stop		
300	692307	Muffler (Super Lo Tone) Used on Type No(s). 0121, 0838.	356C	793399	Wire-Stop	633	691321	Seal-Choke/Throttle Shaft (Throttle)		
300A	394569s	Muffler (Round Lo Tone)	358	699933	Gasket Set-Engine			635	66538s	Boot-Spark Plug
304	694051	Housing-Blower (Non Compliance Engines) Used on Type No(s). 0130.	363	19069	Puller-Flywheel	635B	793351	Boot-Spark Plug Used on Type No(s). 0840.		
304A	694236	Housing-Blower (Compliance Engines) Used on Type No(s). 0457, 0495, 0500, 0501, 0764, 0838, 0840, 3764.	365	790029	Screw (Carburetor)	668	692889	Spacer		
		----- <b>Note</b> -----	383	89838s	Wrench-Spark Plug	670	691633	Spacer-Fuel Tank		
		692536 Housing- Blower (Non Compliance Engines) Used on Type No(s). 0121.	390	691839	Spring-Choke Diaphragm	689	691855	Spring-Friction		
305	692198	Screw (Blower Housing)	393	691837	Screen-Carburetor	718	690959	Pin-Locating (Cylinder)		
306	690400	Shield-Cylinder	394	495770	Diaphragm-Carburetor	718A	499047	Pin-Locating (Crankshaft)		
307	690345	Screw (Cylinder Shield)	426	691107	Screw (Governor Blade)	724	697478	Retainer-Seal		
332	690662	Nut (Flywheel)	455	691236	Cup-Flywheel	729	690586	Clip-Wire		
			456	692299	Plate-Pawl Friction	741	691805	Gear-Timing		
			459	281505s	Pawl-Ratchet	745	691146	Screw (Brake) (7/8" Long)		
			523	692040	Dipstick	745A	690859	Screw (Brake) (1/2" Long)		
			523A	691913	Dipstick Used on Type No(s). 0121, 0457, 0501.	772	691111	Screw (Linkage Cover)		
			524	*691876	Seal-Dipstick Tube	832	699670	Guard-Muffler Used on Type No(s). 0130.		
			525	691320	Tube-Dipstick					
			529	692189	Grommet					
			534	691417	Screw (Air Cleaner)					
			535	698369	Filter-Air Cleaner Foam					
			536	698472	Cleaner-Air					
			592	690800	Nut (Rewind Starter)					

★ Engine Gasket Set-Reference 358

△ Valve Gasket Set-Reference 1095

# 10T500

REF. NO.	PART NO.	DESCRIPTION	REF. NO.	PART NO.	DESCRIPTION	REF. NO.	PART NO.	DESCRIPTION
836	690664	Screw (Muffler Guard)	921A	698709	Cover-Blower Housing Used on Type No(s). 0495, 0838.	976	694394	Primer-Carburetor Label-Emissions (Available from Authorized Briggs & Stratton Service Dealer)
842	★691870	Seal-O Ring (Dipstick Tube)	922	692135	Spring-Brake	1036		
847	691440	Dipstick/Tube Assembly	923	691487	Brake			
851	493880s	Terminal-Spark Plug	925	691349	Cover-Linkage			
868	697338	Seal-Valve	957	497929s	Cap-Fuel Tank	1058	277038	Operator's Manual ----- <b>Note</b> ----- <b>MS3447</b> Operator's Manual Used on Type No(s). 0457, 0495, 0500, 0501.
869	699641	Seat-Valve (Intake)	957A	791129	Cap-Fuel Tank Used on Type No(s). 0121, 0130.			
870	699642	Seat-Valve (Exhaust)	969	692523	Screw (Blower Housing Cover)(2/3" Long) Used on Type No(s). 0457, 0501, 0764, 3764.	1095	498526	Gasket Set-Valve
871	699643	Bushing-Valve Guide (Exhaust) ----- <b>Note</b> ----- <b>63709</b> Bushing-Valve Guide (Intake)	969A	694046	Screw (Blower Housing Cover)(2 1/3" Long) Used on Type No(s). 0495, 0838.	1210	499901	Pulley/Spring Assembly (Pulley)
913	494409	Seat-Check Valve				1211	499901	Pulley/Spring Assembly (Spring)
921	699796	Cover-Blower Housing Used on Type No(s). 0457, 0501, 0764, 3764.				1330	270962	Repair Manual

★ Engine Gasket Set-Reference 358

△ Valve Gasket Set-Reference 1095