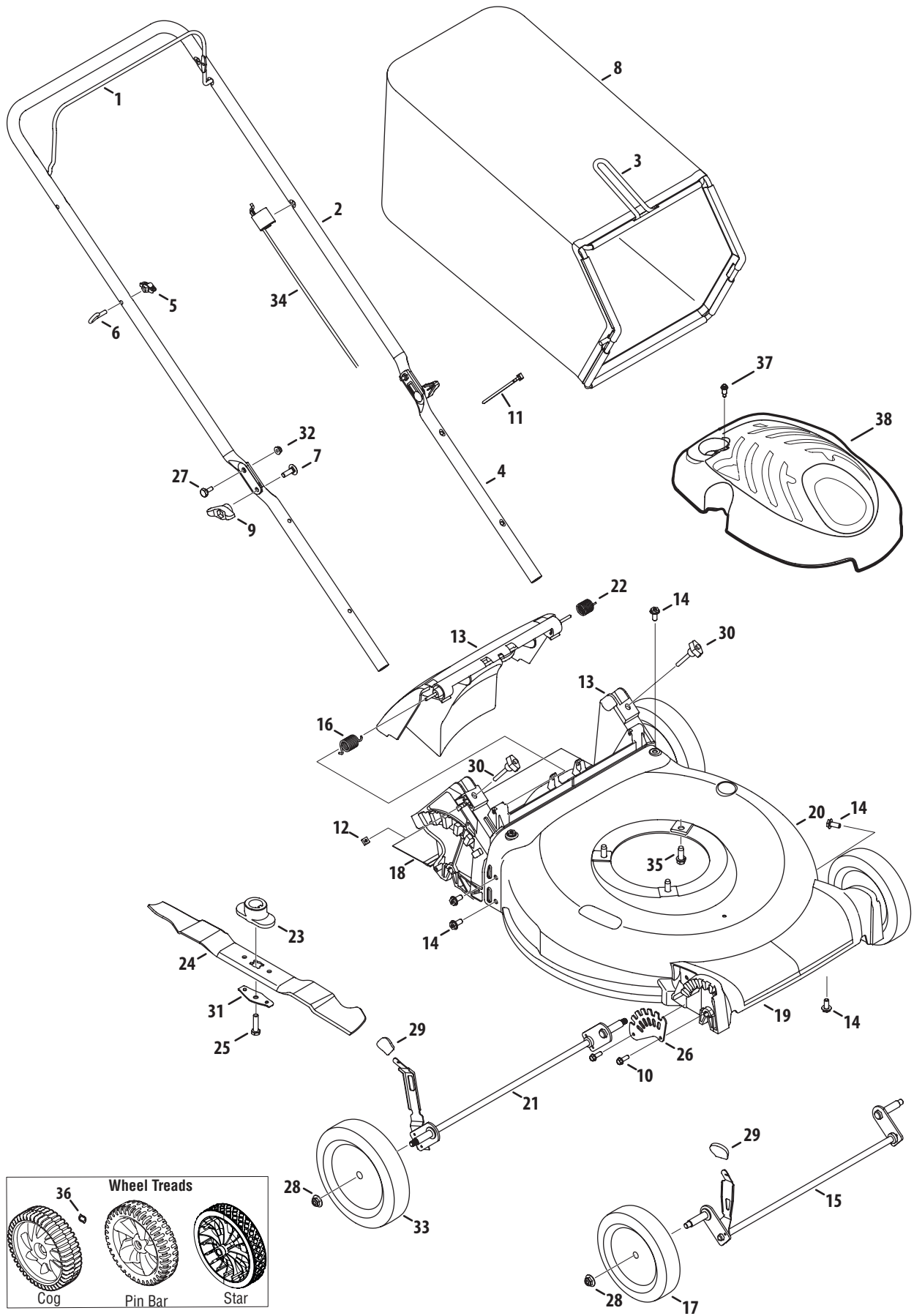


Model Series A1X



Ref No.	Part Number	Description
1	747-05184	Blade Control
2	749-04680	Upper Handle
	749-04681	Upper Handle, International
3	747-05226	Grass Catcher Frame
4	749-04608A	Lower Handle
5	720-0279	Wing Nut
6	710-1205	Rope Guide
7	710-04998	Carriage Screw ,5/16-18
8	964-04116	Grass Bag (Yardman)
	764-04077A	Grass Bag
9	720-04122	Wing Knob
10	710-0895	Screw, 1/4-15 x .750
11	725-0157	Cable Tie
12	712-04222	Nut, Sq., 1/4-20
13	631-04371	Rear Door Assembly
	631-04511	Rear Door Assembly (HD Label)
	631-04567	Door Assembly, International
14	710-04995	Screw, 5/16-14 x .750
15	911-04143B	Front Axle Assembly
16	732-04673	Torsion Spring - RH
17	734-04562	Front Wheel, 7 x 1.8, Bar, Gray
	734-04063A	Front Wheel, 7 x 1.8, Star, Gray
	634-04346	Front Wheel, 7", Cog
18	731-07203	Trail Shield
19	731-07078	Front Cover

Ref No.	Part Number	Description
20	787-01870	Deck - 21"
21	911-04142	Rear Axle Assembly
22	732-04674	Torsion Spring - LH
23	748-0376E	Blade Adapter
	748-04096	Blade Adapter 25mm x 1.19
24	942-0741A	Mulching Blade
25	710-1044	Screw , 3/8-24 x 1.50
26	787-01818A	Front Height Adjuster Plate
27	738-04419A	Sldr. Screw, .375 x .126 x 1/4-20
28	712-04217	Flange Lock Nut, 3/8-16
29	720-04130	Adjustment Lever Knob
30	720-04123	Wing Nut
31	736-0524B	Blade Bell Support
32	712-04064	Nut, Flange Lock, 1/4-20
33	734-04563	Rear Wheel, 8 x 1.8, Bar, Gray
	734-04585	Rear Wheel, 8 x 1.8, Star, Gray
	634-04347	Rear Wheel, 8", Cog
34	946-0957	Control Cable, 37.25"
	946-04670	Control Cable, 36.65
	746-04479	Control Cable, 48"
	946-04661	Control Cable, 37.58"
35	710-0654A	TT Sems Screw, 3/8-16 x 1.0
36	936-0504†	Wave Washer, .510 x .750 x .017
37	710-04744†	Screw, HL, #12-16 x 1.00
38	931-04474†	Engine Shroud M1.1 Black

† If Equipped