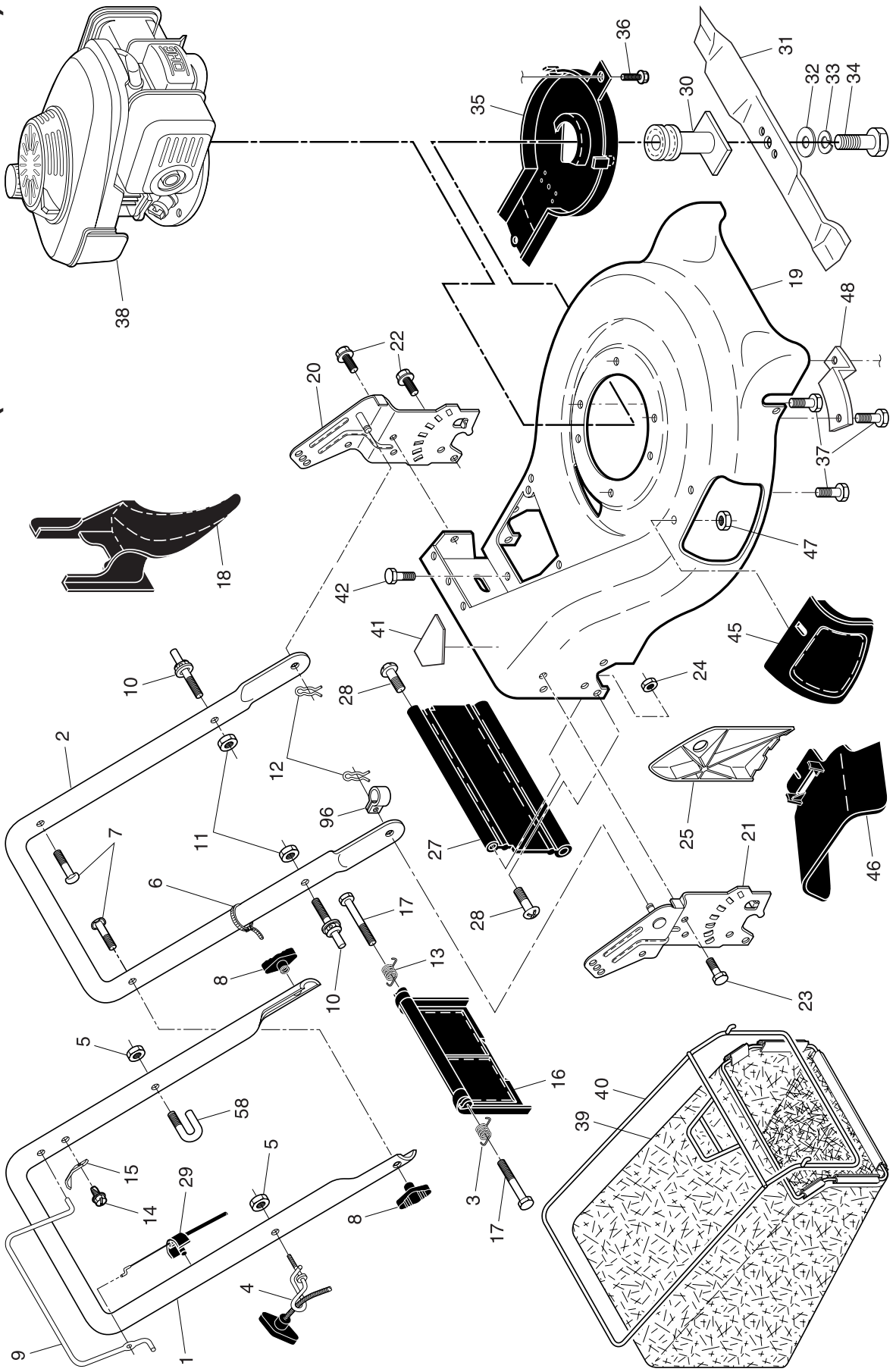


REPAIR PARTS MANUAL
MODEL NO. PR160Y21RDP
(MFG. ID. NO. 96142004500)
Rotary Lawn Mower

For Parts and Service, contact our authorized distributor: call 1-800-849-1297
For Technical Assistance: call 1-800-829-5886

Poulan PRO

ROTARY LAWN MOWER -- MODEL NUMBER PR160Y21RDP (MFG. ID. NO. 96142004500)



ROTARY LAWN MOWER -- MODEL NUMBER PR160Y21RDP (MFG. ID. NO. 96142004500)

KEY NO.	PART NO.	DESCRIPTION	KEY NO.	PART NO.	DESCRIPTION	KEY NO.	PART NO.	DESCRIPTION
1	194577X479	Handle, Upper	20	193917X479	Handle Bracket Assembly, LH	38	---	Engine, Honda, Model Number GCV160-LAS3A (For engine service and replacement parts, call Honda Engines at 1-800-426-7701)
2	193664X479	Handle, Lower	21	193916X479	Handle Bracket Assembly, RH			Grassbag
3	405416	Spring, Rear Door, RH	22	150078	Screw, Hex Washer Head			Frame, Grassbag
4	194788	Rope Guide	23	163183	Bolt, Hex Head 5/16-18 x 5/8			Danger Decal
5	132004	Nut, Hex, with Lockwasher Insert 1/4-20	24	73800500	Nut, Hex, with Lockwasher Insert 5/16-18			Screw
6	66426	Wire, Tie	25	161333	Baffle, Side	39	411061	Mulcher Door
7	191574	Bolt, Handle 5/16-18 x 2-5/8	26	163409	Screw, Hi-Lo Thread #12 x 5/8	40	411951	Discharge Guard
8	189713X428	Knob, Handle				41	404763	Nut, Hex
9	194580X421	Control Bar	27	408442	Skirt, Rear	42	54583	Mounting Bracket, Debris Shield
10	188821	Pin, Handle Adjustment	28	88652	Screw, Hinge 1/4-20 x 1.25	45	183058X428	Clip, Packaging
11	751153	Nut, Hex	29	191221	Cable, Operator Presence	46	169699X428	Clip, Cable
12	51793	Cotter, Hairpin	30	189179	Blade Adapter / Pulley	47	88349	Warning Decal (not shown)
13	405415	Spring, Rear Door, LH	31	406712	Blade, 21"	48	188839X004	Operator's Manual, English
14	750634	Screw	32	851074	Washer			Operator's Manual, French
15	850733X004	Bracket, Upstop	33	850263	Washer, Lock	58	182003	
16	401815X428	Rear Door Assembly	34	851084	Bolt, Hex Head	96	197991	
17	184193	Bolt, Rear Door	35	405843	Debris Shield	--	404764	
18	198170	Plug, Mulcher	36	192325	Bolt	--		
19	413292	Kit, Housing	37	150406	Bolt, Engine	--	193733	

IMPORTANT: Use only Original Equipment Manufacturer (O.E.M.) replacement parts. Failure to do so could be hazardous, damage your lawn mower and void your warranty.

NOTE: All component dimensions given in U.S. inches. 1 inch = 25.4 mm.

ROTARY LAWN MOWER - - MODEL NUMBER PR160Y21RDP (MFG. ID. NO. 96142004500)

KEY NO.	PART NO.	DESCRIPTION	KEY NO.	PART NO.	DESCRIPTION	KEY NO.	PART NO.	DESCRIPTION
1	407345	Drive Control Assembly	25	199775X428	Cover Drive	41	404835	Pinion, Gear
2	406260X428	Cover, Top	26	750634	Screw, Threaded, Rolled #10-25 x 1/2	50	404832X004	Belt Keeper
3	406262	Pulley	28	12000058	E-Ring 7/16	60	412747	Case, Lower
4	195585	Lever, Drive Control	29	189403	Cover, Dust, Wheel	61	412736	Case, Upper
5	406261X428	Cover, Bottom	31	404845	Pawl, Drive	62	412757	Shaft, Output, Long
6	181698	Screw	32	405744X421	Wheel & Tire Assembly, Rear (Driven) 8 x 1-3/4	63	183508	Seal, Output Shaft
7	400235X479	Mounting Bracket	33	409148	Nut, Flangelock 3/8-16	64	183511	Bushing
9	406258	Cable, Drive	34	851226	Washer	65	183509	Washer
11	406558	Spring, Return	35	403102X004	Shaft Assembly, Rear	66	183514	Seal, Worm Shaft
13	404839	Gear Case Assembly	36	407175X004	Shaft Assembly, Front	67	183506	Bearing, Ball
14	193443	Pulley, Drive	37	161463	Retainer, Front Shaft	68	412742	Gear, 28 Teeth
16	407147	Rod, Connecting	38	163409	Screw #12 x 5/8	69	412739	Fixed Dog Clutch, LH
17	409616	Spring, Extension	39	407059	Bolt, Shoulder, Semi-Gimlett Point	70	412741	Pin, Output Shaft
18	418835X004	Spring, Selector	40	193909X421	Wheel & Tire Assembly, Front 8 x 1-3/4	71	412740	Movable Dog Clutch, LH
19	189808X421	Knob, Selector Spring	44	406580	V-Belt	72	412756	Shaft, Output, Short
20	12000022	E-Ring 7/8	47	67725	Washer	73	183513	Screw, Case
21	404838	Bearing				75	412746	Pin, Worm Shaft
22	191039	Bearing, Ball				76	412744	Fixed Dog Clutch, RH
23	161118X004	Retainer, Drive Assembly				77	412743	Movable Dog Clutch, RH
24	57808	Screw, Tapping, Hex Head 1/4-20 x 3/4				78	410731	Spring, Leaf
						79	412737	Shaft, Worm

IMPORTANT: Use only Original Equipment Manufacturer (O.E.M.) replacement parts. Failure to do so could be hazardous, damage your lawn mower and void your warranty.

NOTE: All component dimensions given in U.S. inches. 1 inch = 25.4 mm.

LIMITED WARRANTY

The Manufacturer warrants to the original consumer purchaser that this product as manufactured is free from defects in materials and workmanship. For a period of two (2) years from date of purchase by the original consumer purchaser, we will repair or replace, at our option, without charge for parts or labor incurred in replacing parts, any part which we find to be defective due to materials or workmanship. This Warranty is subject to the following limitations and exclusions.

1. This warranty does not apply to the engine, transaxle/transmission components, battery (except as noted below) or components parts thereof. Please refer to the applicable manufacturer's warranty on these items.
2. Transportation charges for the movement of any power equipment unit or attachment are the responsibility of the purchaser. Transportation charges for any parts submitted for replacement under this warranty must be paid by the purchaser unless such return is requested by the manufacturer.
3. Battery Warranty: On products equipped with a Battery, we will replace, without charge to you, any battery which we find to be defective in manufacture, during the first ninety (90) days of ownership. After ninety (90) days, we will exchange the Battery, charging you 1/12 of the price of a new Battery for each full month from the date of the original sale. Battery must be maintained in accordance with the instructions furnished.
4. The Warranty period for any products used for rental or commercial purposes is limited to 45 days from the date of original purchase.
5. This Warranty applies only to products which have been properly assembled, adjusted, operated, and maintained in accordance with the instructions furnished. This Warranty does not apply to any product which has been subjected to alteration, misuse, abuse, improper assembly or installation, delivery damage, or to normal wear of the product.
6. Exclusions: Excluded from this Warranty are belts, blades, blade adapters, normal wear, normal adjustments, standard hardware and normal maintenance.
7. In the event you have a claim under this Warranty, you must return the product to an authorized service dealer.

Should you have any unanswered questions concerning this Warranty, contact:

Poulan Pro
Customer Service Department
1030 Stevens Creek Road
Augusta, GA 30907 USA

In Canada contact:
Poulan Pro
Customer Service Department
5855 Terry Fox Way
Mississauga, Ontario L5V 3E4

giving the model number, serial number and date of purchase of your product and the name and address of the authorized dealer from whom it was purchased.

THIS WARRANTY DOES NOT APPLY TO INCIDENTAL OR CONSEQUENTIAL DAMAGES AND ANY IMPLIED WARRANTIES ARE LIMITED TO THE SAME TIME PERIODS STATED HEREIN FOR OUR EXPRESSED WARRANTIES.

Some areas do not allow the limitation of consequential damages or limitations of how long an implied Warranty may last, so the above limitations or exclusions may not apply to you. This Warranty gives you specific legal rights, and you may have other rights which vary from locale to locale.

This is a limited Warranty within the meaning of that term as defined in the Magnuson-Moss Act of 1975.

SERVICE NOTES

Poulan PRO